



## Mini Dehumidifying Dryer

MDD-40U/20H

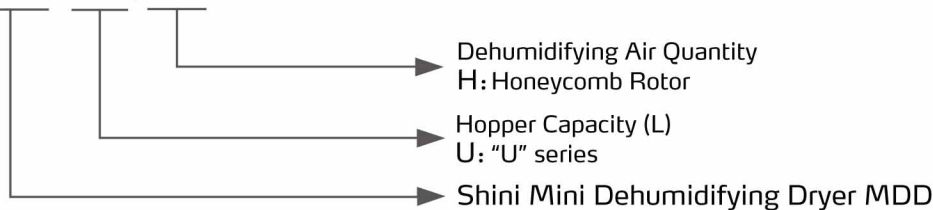


Refer carefully to this manual before operation.

# MDD Series

## ■ Coding Principle

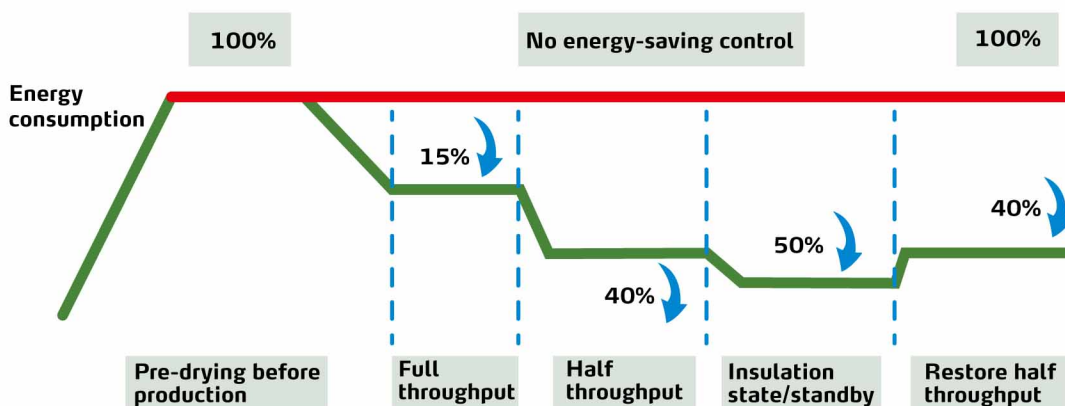
MDD-xxU/xxH



## ■ Features

- Adopt molecular sieve structure honeycomb rotor, which provides low dew-point dry air that can reach  $-40^{\circ}\text{C}$  under ideal conditions
- Dehumidifying and drying functions are integrated into a single unit
- The standard microprocessor controller with a temperature-control precision of  $+1^{\circ}\text{C}$
- It is equipped with a weekly timer to achieve auto operation
- Equipped with RS485 communication interface
- Adopt a 4.3" touch panel for an intuitive display and easy operation
- USB interface can record the data and back up local data in real-time
- New special gear transmission can eliminate the honeycomb errors to avoid slipping and tough installation caused by conventional belt drives.
- When using optional dew point meter, the dew point temp. control can control the regeneration temp. heating based on the set dew point, so as to save the energy.

**The built-in adaptive energy-saving drying function can adjust the drying airflow and temp. according to different materials and outputs, thus achieving the purpose of energy-saving and preventing material from excessive drying;**



## ■ Options

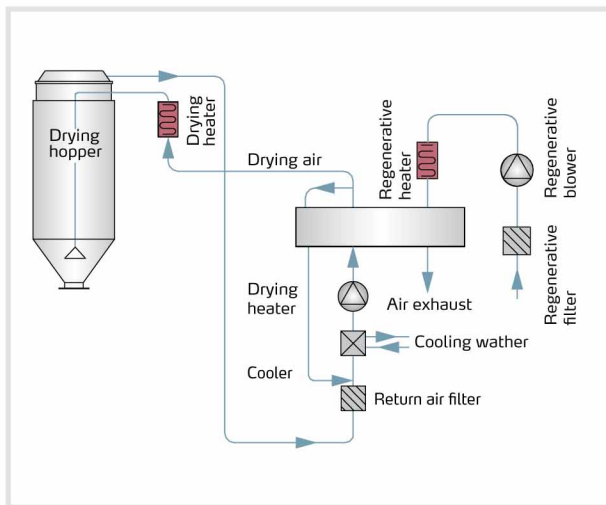
- Entry-level dew point monitor, and add "YD" at the end of the model code.
- VAISALA dew point monitor, and add "D" at the end of the model code.

## Application

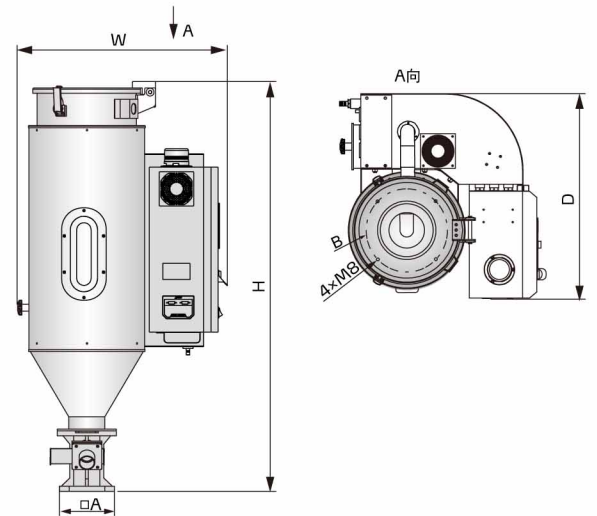
MDD dehumidifying dryers integrate dehumidifying and drying into a single unit. It specially processes engineering and hygroscopic plastic materials, such as PA and PC. The dryer is directly mounted on the plastic manufacturing unit to provide real-time dehumidifying and drying.



## Working Principle



## Outline Drawings



## Specifications

Model	Regen. Heater (kW)	Regen. Blower (kW)	Drying Heater (kW)	Drying Blower (kW)	Dry Air Quantity (m <sup>3</sup> /hr)	Hopper (L)	Dimension(mm) H×W×D	A(mm)	B(mm)
MDD-20U/20H	1.2	0.18	0.85	0.192	20	20	835×565×574	154	Φ231
MDD-40U/20H	1.2	0.18	0.85	0.192	20	40	1153×583×578	154	Φ231
MDD-80U/30H	1.2	0.18	1.2	0.192	30	80	1439×634×655	154	Φ254.5

Notes: 1)Power 3Φ, 230/400/460/575VAC, 50/60Hz.  
2)Max. drying temp. is 140°C.

We reserve the right to change specifications without prior notice.

## Shini Group

Addr: No. 23, Minhe St., Shulin Dist.,  
New Taipei, Taiwan

Tel: +886 2 2680 9119

Fax: +886 2 2680 9229

Email: [shini@shini.com](mailto:shini@shini.com)

### Factories:

- Taiwan
- Dongguan
- Pinghu
- Ningbo
- Chongqing
- Pune

2023-10-30-04 Copyrights Reserved.

[www.shini.com](http://www.shini.com)